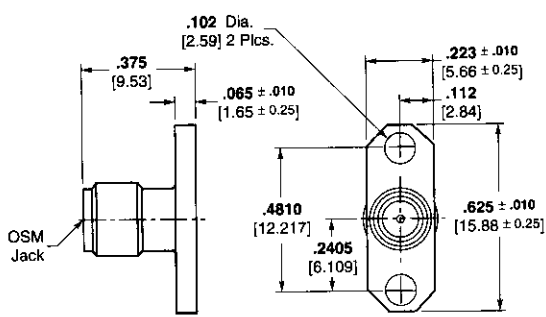
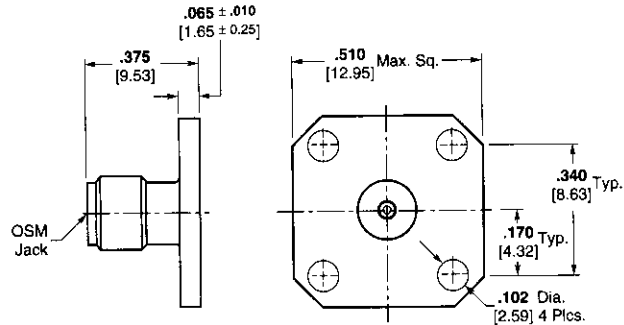


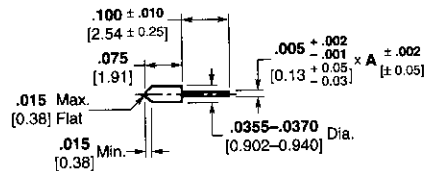
**MIL-C-83517/10**



**Outline 1**



**Outline 2**



**Transition Pin Detail**

Military Part No.	AMP Part No.	M/A-COM' Part No. (Ref. Only)	Outline	Dimension A
-31001	1052959-1	2052-8019-92	1	—
-31003	1052962-1	2052-8021-92	2	—
-31005	1052963-1	2052-8023-92	1	.020 ± .002 0.51 ± 0.05
-31006	1484518-1	2052-8024-92	1	.050 ± .002 1.27 ± 0.05
-31015	1484519-1	2052-8033-92	2	.020 ± .002 0.51 ± 0.05
-31016	1484520-1	2052-8034-92	2	.050 ± .002 1.27 ± 0.05
-32001	1484521-1	2052-8019-90	1	—
-32003	1052961-1	2052-8021-90	2	—
-32005	1484522-1	2052-8023-90	1	.020 ± .002 0.51 ± 0.05
-32006	1484523-1	2052-8024-90	1	.050 ± .002 1.27 ± 0.05
-32015	1484524-1	2052-8033-90	2	.020 ± .002 0.51 ± 0.05
-32016	1484525-1	2052-8034-90	2	.050 ± .002 1.27 ± 0.05

<sup>1</sup> -92 indicates passivated stainless steel finish.  
-90 indicates gold plated finish.

RF Connectors